

# Aqua Rigid Stand Kit

RS 50 and RS 63mm For PE pipe



## HIGHLIGHTS

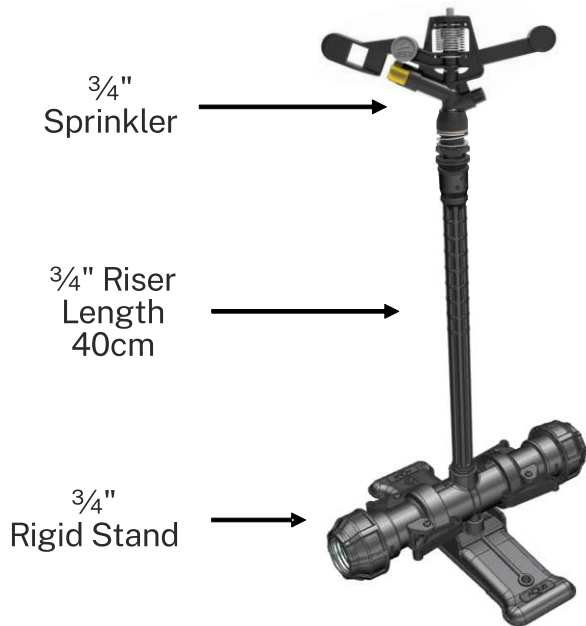
- Riser Connection Outlet: 1/2" and 3/4" Female, Inlet: 1/2" and 3/4" Male
- Compatible and durable rigid-set and semi permanent irrigation system suitable for agriculture field.
- UV resistant material for long life.
- Fast and user-friendly installation in the field.
- 'O'ring and gasket in rigid stand to avoid leakage.
- Easy assembly mechanism saves on field time and labour.
- Stable and balanced base design for excellent gripping in the field with minimal riser vibration.

## TECHNICAL DATA

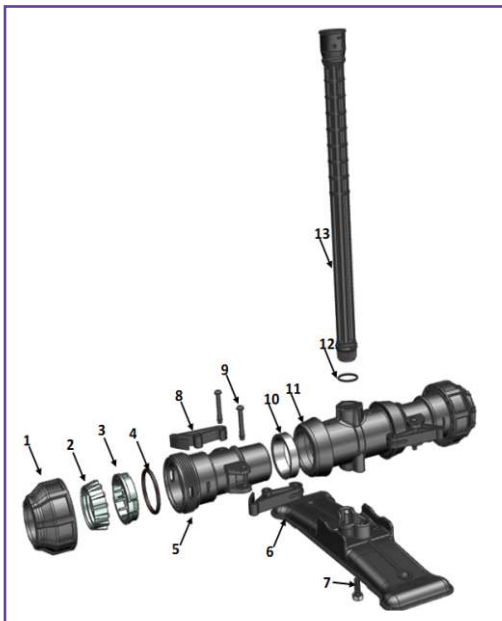
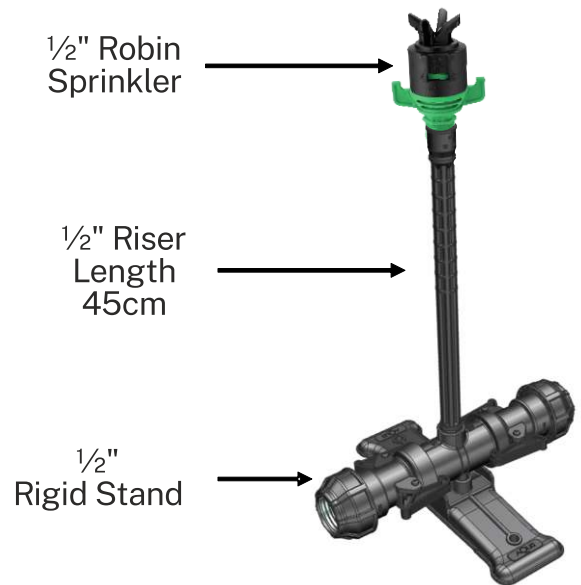
- 3/4" Rigid Riser Length: 40cm
- 1/2" Rigid Riser Length: 45cm
- For PE 50 and 63mm pipe quick and reliable connection
- Working Pressure Range: Up to 4.0 kg/cm<sup>2</sup>
- All parts are available in spares.



## AQ - 46 with Assembly



## Robin with Assembly



S.No	Part Name
1	Compression Cap
2	Gripper
3	Bush
4	O-Ring
5	Quick Adaptor
6	Rigid Base
7	SS-Bolt with Washer
8	Hook
9	Hook Pin
10	Coupler V-ring
11	Coupler
12	Riser O-Ring
13	Riser Riser

Spares Parts	
	Rigid Stand Plug
	Coupling Nut 2" Male Thread BSP/NPT
	Quick adaptor PE 50/PE 63
	Rigid Riser 3/4" Fx 3/4" M - Length 40cm
	Rigid Riser 1/2" Fx 1/2" M - Length 45cm